

Wall Lamp

INSTRUCTION MANUAL

Safety Warnings

- This product is only suitable for connection to 240V~50Hz supply in accordance with current IEE wiring Regulations and should be installed in accordance with local Building Regulations, is for indoor use only and is **not** suitable for a Bathroom location.
- Before installing your light fitting always switch off the mains supply and remove the appropriate fuse or switch off the appropriate circuit breaker before commencing installation.
- This is a Class II fitting, and Live or Neutral **must not** be connected to Earth. The terminal blocks are supplied according to requirements of the fitting.
- Never fit bulbs of a higher wattage than those specified on the label (as these may cause overheating and damage the fitting).
- This product contains delicate parts. Take care during installation and maintenance to avoid breakages
- If you are in any doubt about your competence please consult a qualified electrician.
- If any modification is made it will invalidate the warranty and may render the product unsafe.

Care Information

Allow 10 minutes to cool before replacing, adjusting or cleaning.
Clean with a dry cloth only. Do not use liquid or abrasive cleaners on this product.

Assembly/ User Instructions

Before you start

Please read these instructions carefully before fitting and retain for reference.
Check the packaging and make sure that you have all the required parts.
Follow each assembly step in order to prevent incorrect assembly.
Ensure that the product is fully assembled as illustrated before use.

The Light pack contains:

Light fitting.
Terminal connection block(s).
Fixing pack.

The following tools may be required:

Selection of cross and flat head screwdrivers.
Electric drill and assorted drill bits.
Wire strippers.
Electrical insulation tape.

These assembly diagrams are intended as a guide – if in doubt consult a qualified electrician.

1. Decide on the position of your light fitting. Ensure there is a solid mounting surface, preferably a brick or block wall and ensure that there are no cables or pipes beneath the surface. If the wall is timber frame and plasterboard then please use appropriate fixings. Wall plugs are shown here – **Diagram A**. Ensure the fixings used can support the weight of the wall light.
2. Use the back plate as a template to mark the screw holes. Make sure the bracket is horizontal. Fix the bracket to the wall – the use of screws (1) and plugs (2) are shown here
3. **Diagram B**. Support your fitting and connect the house wiring to the terminal block (3). Open the terminal block box and connect the house wiring to the terminal block inside - see detailed wiring diagram. **NOTE: This is a Class II fitting and must not be earthed.** If you have any earth cables make sure that they are connected to each other to maintain earth continuity throughout your property – and wrap the earth terminals in 2 layers of good quality insulation tape.

Assembly/ User Instructions Continued

4. **Diagram C.** Fit the bulb (4) into the lamp holder. **NOTE: Never fit bulbs of a higher wattage than those specified on the label (as these may cause overheating and damage the fitting).**
5. Place the decorative shade cover (5) over the back plate making sure it is held securely in place with the nut/washer assembly as shown.
6. Turn on the power and test.

Diagram A

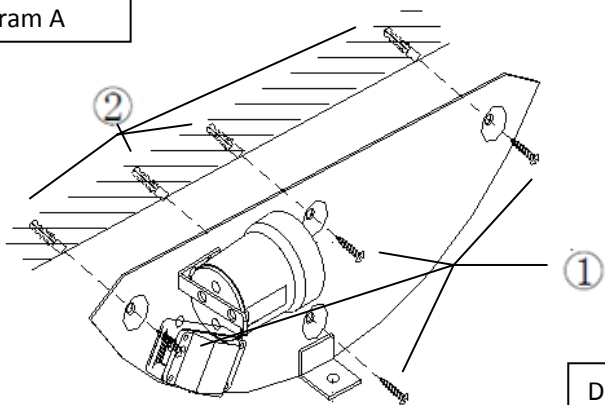


Diagram B

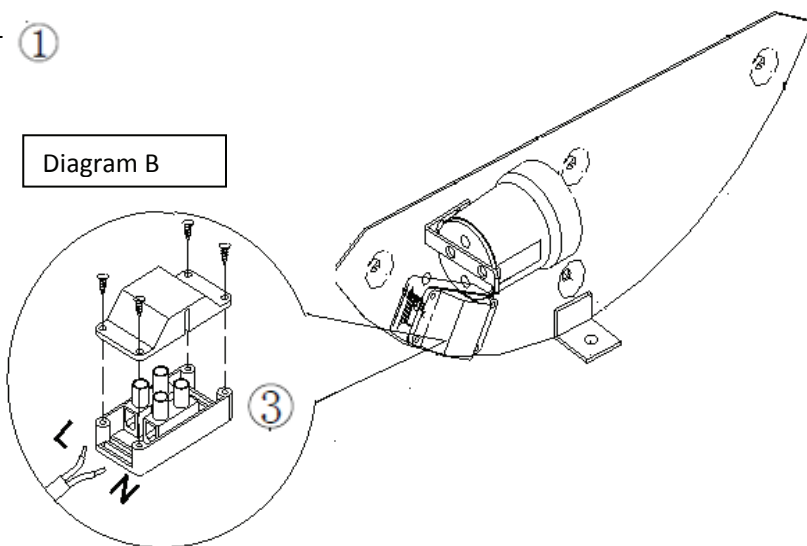
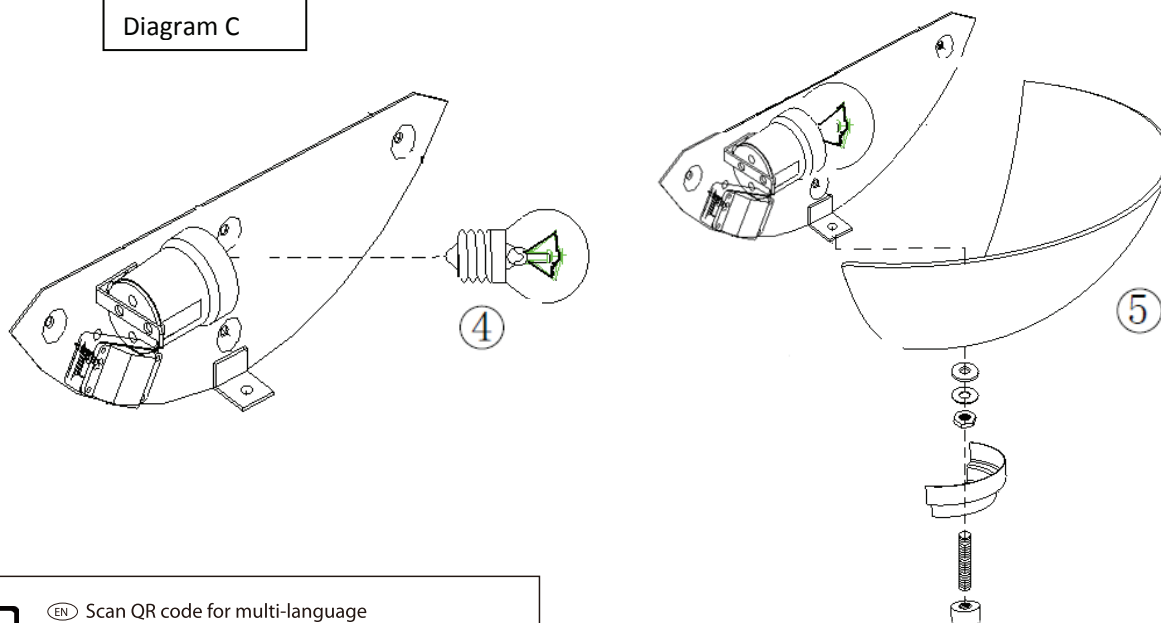


Diagram C



- EN Scan QR code for multi-language
- FR Scannez le code QR pour plusieurs langues
- ES Escanee el código QR para varios idiomas
- PL Zeskanuj kod QR dla wielu języków
- DE Scannen Sie den QR-Code nach mehreren Sprachen
- IT Scansiona il codice QR per multilingua